

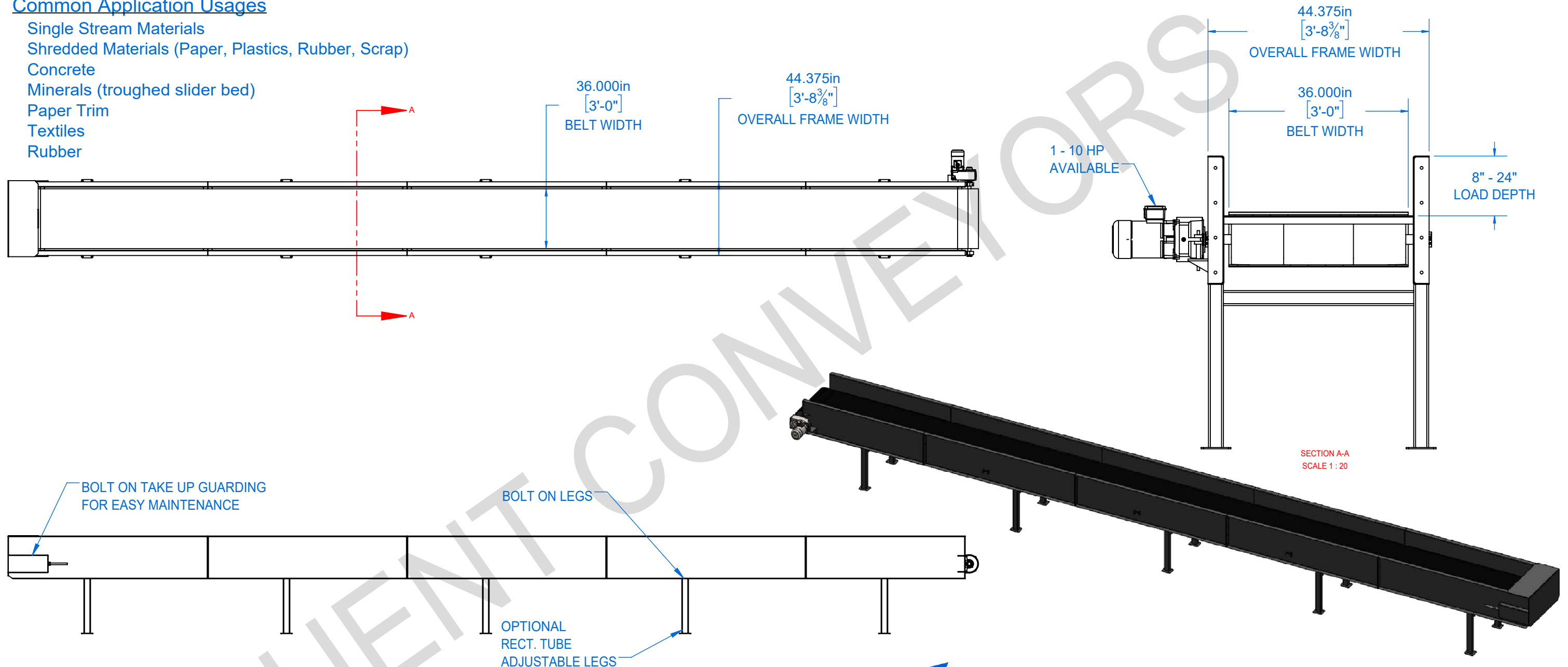
FLUENT 36 INCH SLIDER BED CONVEYOR

Fluent 36 Inch SB Series of conveyors are most commonly used in entry level sort lines as well as shredder infeeds and transfer conveyors in MRFs. 36" wide conveyors can also be paired with a baler and used as the infeed conveyor. These conveyors can be placed in a pit, have a nose over and offer a heavy duty (high impact, durable) version as well. Material usages typically include: shredded materials, plastics, single stream (aluminum cans, tin, steel), textiles, paper trim, rubber and more. Standard belt offerings include: PVC, rough top, rubber, cleated, chevron, MOR, high temp and additional specialized conveyor belts.

**These conveyors can be customized per the required application specifications.

Common Application Usages

- Single Stream Materials
- Shredded Materials (Paper, Plastics, Rubber, Scrap)
- Concrete
- Minerals (troughed slider bed)
- Paper Trim
- Textiles
- Rubber



Fluent Conveyors is a premier engineering and manufacturing company headquartered in the Rocky Mountain Region with over 50+ years of combined conveyor engineering and manufacturing experience. Since Fluent's inception, dealers have integrated Fluent Conveyors and replaced conveyors from manufacturers like: Hustler Conveyors, Krause, CP Manufacturing, Green Machine, Bulk Handling Systems (BHS), Summit, Tuffman, Mayfran, Machinex and more.



PROPRIETARY AND CONFIDENTIAL
THE INFORMATION CONTAINED IN THIS DRAWING IS THE SOLE PROPERTY OF FLUENT CONVEYORS. ANY REPRODUCTION IN PART OR AS A WHOLE WITHOUT THE WRITTEN PERMISSION OF FLUENT CONVEYORS IS PROHIBITED.

UNLESS OTHERWISE SPECIFIED:		NAME	DATE
DIMENSIONS ARE IN INCHES		DRAWN	
TOLERANCES:		CHECKED	
FRACTIONAL: ± 1/16"		ENG APPR.	
ANGULAR: MACH ± .5 BEND ± .5		MFG APPR.	
TWO PLACE DECIMAL ± .06		Q.A.	
THREE PLACE DECIMAL ± .062		COMMENTS:	
MATERIAL			
FINISH			
DO NOT SCALE DRAWING			
TITLE: FLUENT 36 INCH SLIDER BED CONVEYOR			
SIZE	PART #	REV	
B			
SCALE: 1:60		WEIGHT: 4520	SHEET 1 OF 1