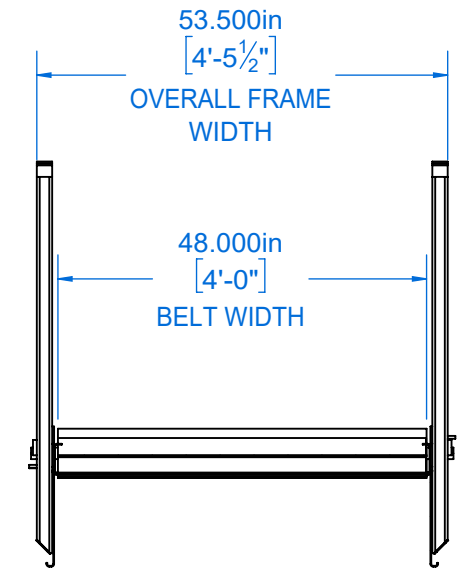
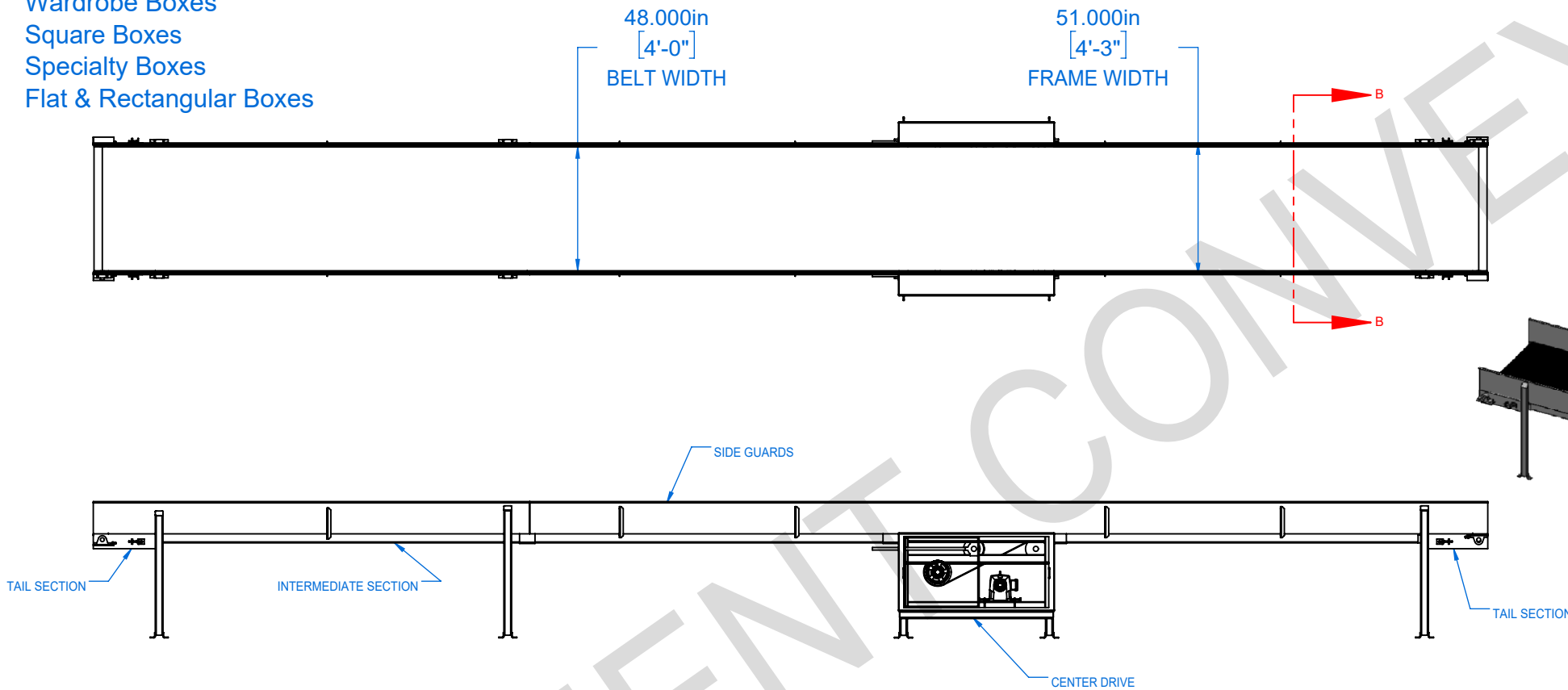


# FLUENT 48 INCH PACKAGE HANDLING CONVEYOR

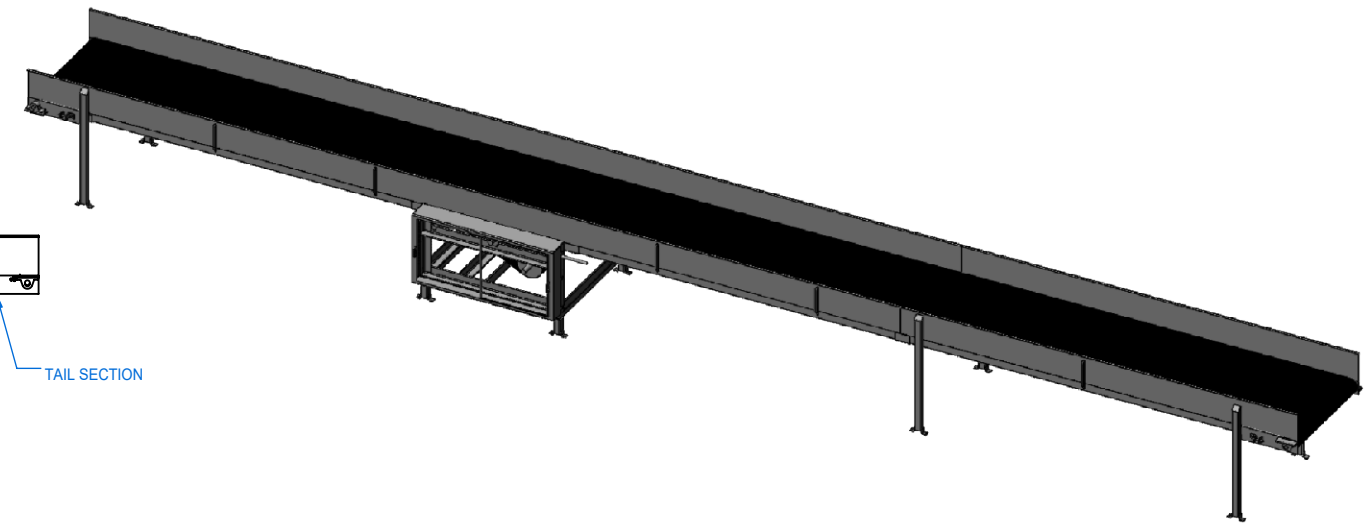
Fluent 48 Inch PH Series of conveyors are most commonly used in both manual and automated package handling conveyor systems. The 48 inch wide conveyors are typically used on van lines (come standard with motorized center drive pulleys), main transfer conveyors and sort conveyors. These conveyors are typically paired with a VFD and have speeds optimized for each part of the sort line ranging from 20 feet per minute to over 150 feet per minute. These conveyors can be purchased in sections (tail sections, center drives, intermediate sections) or as a full conveyor. This series comes standard with PVC belting, side guarding, bottom guarding, safety guarding and can be engineered to meet the specific package handling application requirements.

## Common Application Usages

- Residential Packages
- Business Class Packages
- Tablet Boxes
- Small Electronic Boxes
- Laptop Boxes
- Golf Club Tubes
- Heavy Material Boxes
- Wardrobe Boxes
- Square Boxes
- Specialty Boxes
- Flat & Rectangular Boxes



SECTION B-B  
SCALE 1:25



Fluent Conveyors is a premier engineering and manufacturing company headquartered in the Rocky Mountain Region with over 50+ years of combined conveyor engineering and manufacturing experience. Fluent Conveyors has the internal capabilities to engineer and manufacture slider bed conveyors for FedEx, Amazon, UPS, USPS and any other package handling facilities across the United States.



PROPRIETARY AND CONFIDENTIAL  
THE INFORMATION CONTAINED IN THIS DRAWING IS THE SOLE PROPERTY OF FLUENT CONVEYORS. ANY REPRODUCTION IN PART OR AS A WHOLE WITHOUT THE WRITTEN PERMISSION OF FLUENT CONVEYORS IS PROHIBITED.

UNLESS OTHERWISE SPECIFIED:		NAME	DATE	TITLE: <b>FLUENT 48 INCH PACKAGE HANDLING CONVEYOR</b>
DIMENSIONS ARE IN INCHES		DRAWN		
TOLERANCES: FRACTIONAL ± 1/16"		CHECKED		
ANGULAR: MACH ± .5 BEND ± .5		ENG APPR.		
TWO PLACE DECIMAL ± .06 THREE PLACE DECIMAL ± .062		MFG APPR.		
INTERPRET GEOMETRIC TOLERANCING PER:		Q.A.		SIZE <b>B</b>
MATERIAL		COMMENTS:		
FINISH				REV
DO NOT SCALE DRAWING				SCALE: 1:60 WEIGHT:
				SHEET 1 OF 1