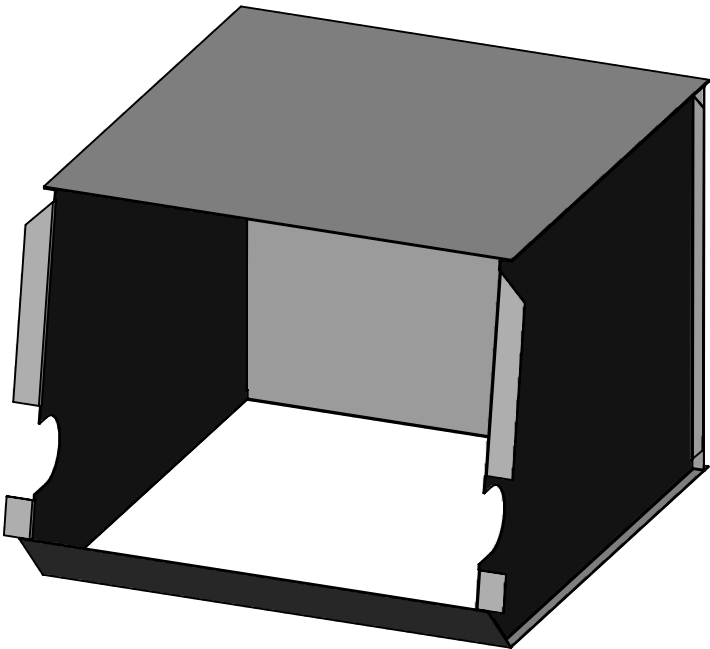
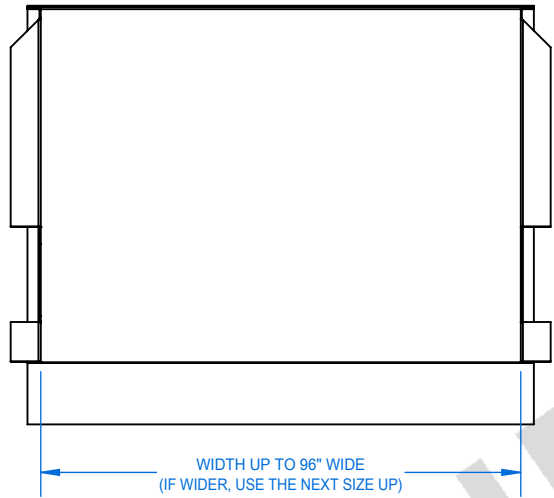


Fluent Standard Small Discharge Hopper

Fluent hoppers can be optimized for the specified materials and volume including closed and open top hoppers. Fluent can add windows, doors, level switches and UHMW lining to all hoppers depending on material types. Fluent offers fully customizable solutions including flop gates, chute chutes, and rock boxes for all sizes necessary.

Common Application Usages

- Agricultural
- Scrap Metal
- Bio-Fuel
- MSW
- Single Stream
- Construction & Demolition
- Hot & Abrasive Materials
- Mining
- E-Waste
- Plastics 3-7
- PET
- HDPE



Fluent Conveyors can provide hoppers for conveyors manufactured by but not limited to the following manufactures: Hustler Conveyors, Krause, CP Manufacturing, Green Machine, Bulk Handling Systems (BHS), Summit, Titan, Mayfran, Machinex and more.