

## 60" PVC/Rubber Chevron Conveyor Belt

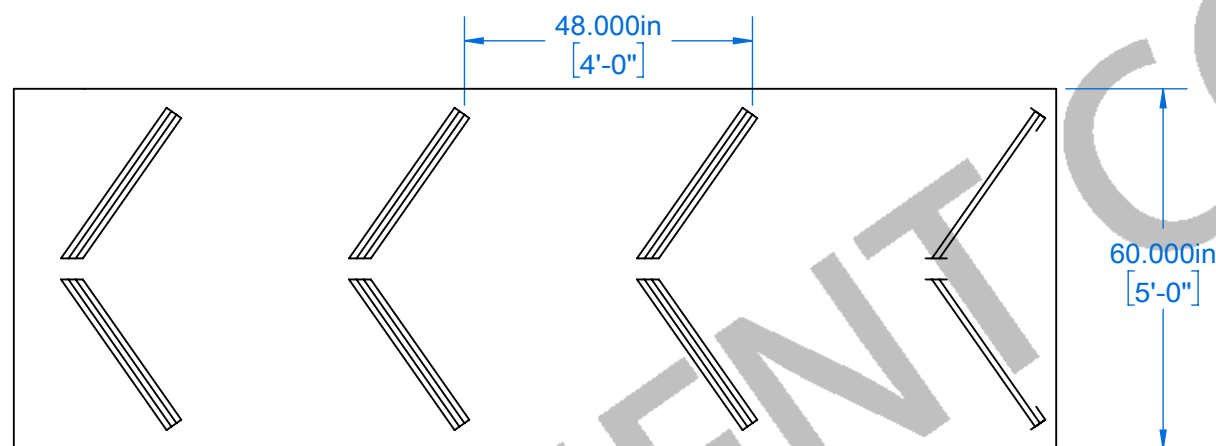
Fluent Conveyor Chevron Cleated Conveyor Belts are most commonly used to convey lighter weight materials such as wood chips, sand and gravel, grains, minerals, cardboard, plastics, paper, fines, ONP, and more. These belts are typically found on both slider bed conveyors and trough idler conveyors. These belts are consumable products and the shelf life depends on the end user and the material type. The chevron pattern comes in a few different designs such as: open chevron, close chevron, herringbone, u-shaped, cleated top, mini-cleated top, steep climb and multi-chevron. Chevron belts are in both rubber and PVC and can support cleat sizes from 1/8" up to 2". Optional integrally molded and hot vulcanized.

### Common Application Usages

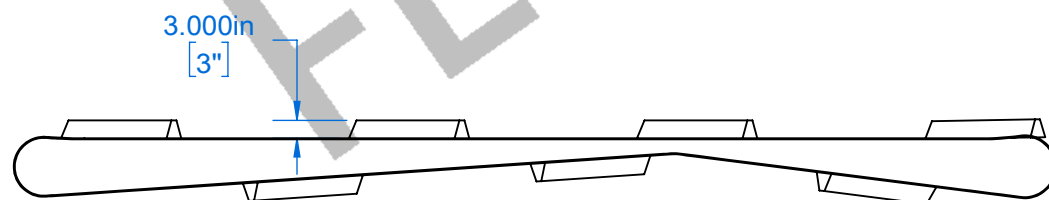
Scrap Metal  
Automotive  
Agricultural  
Bio-Fuel  
MSW  
Single Stream  
Construction & Demolition  
Hot & Abrasive Materials

### Options:

Cleats  
Integrally molded or hot vulcanized  
Wide variety of patterns



Chevron Slider Bed Belts offered with 3" and 4" cleats set at 24", 36", 48" intervals. These patterns can be customized to best suit your material handling needs.



Fluent Conveyors can provide replacement belts for conveyors manufactured by but not limited to the following manufactures: Hustler Conveyors, Krause, CP Manufacturing, Green Machine, Bulk Handling Systems (BHS), Summit, Titan, Mayfran, Machinex and more.

UNLESS OTHERWISE SPECIFIED:		NAME	DATE	Fluent Conveyors	
DIMENSIONS ARE IN INCHES TOLERANCES: FRACTIONAL: $\pm 1/16"$ ANGULAR: MACH $\pm .5$ BEND $\pm .5$ TWO PLACE DECIMAL $\pm .06$ THREE PLACE DECIMAL $\pm .062$		DRAWN	BHS	TITLE: <b>60-Chevron Belt</b>	
		CHECKED			
		ENG APPR.			
		MFG APPR.			
<b>PROPRIETARY AND CONFIDENTIAL</b> THE INFORMATION CONTAINED IN THIS DRAWING IS THE SOLE PROPERTY OF FLUENT CONVEYORS. ANY REPRODUCTION IN PART OR AS A WHOLE WITHOUT THE WRITTEN PERMISSION OF FLUENT CONVEYORS IS PROHIBITED.		Q.A.		SIZE <b>B</b> PART # FCSBVB-00-60-0-3-48 REV <b>0</b> SCALE: 1:32 WEIGHT: 251.66 SHEET 1 OF 1	
INTERPRET GEOMETRIC TOLERANCING PER:		COMMENTS:			
MATERIAL					
FINISH					
DO NOT SCALE DRAWING					