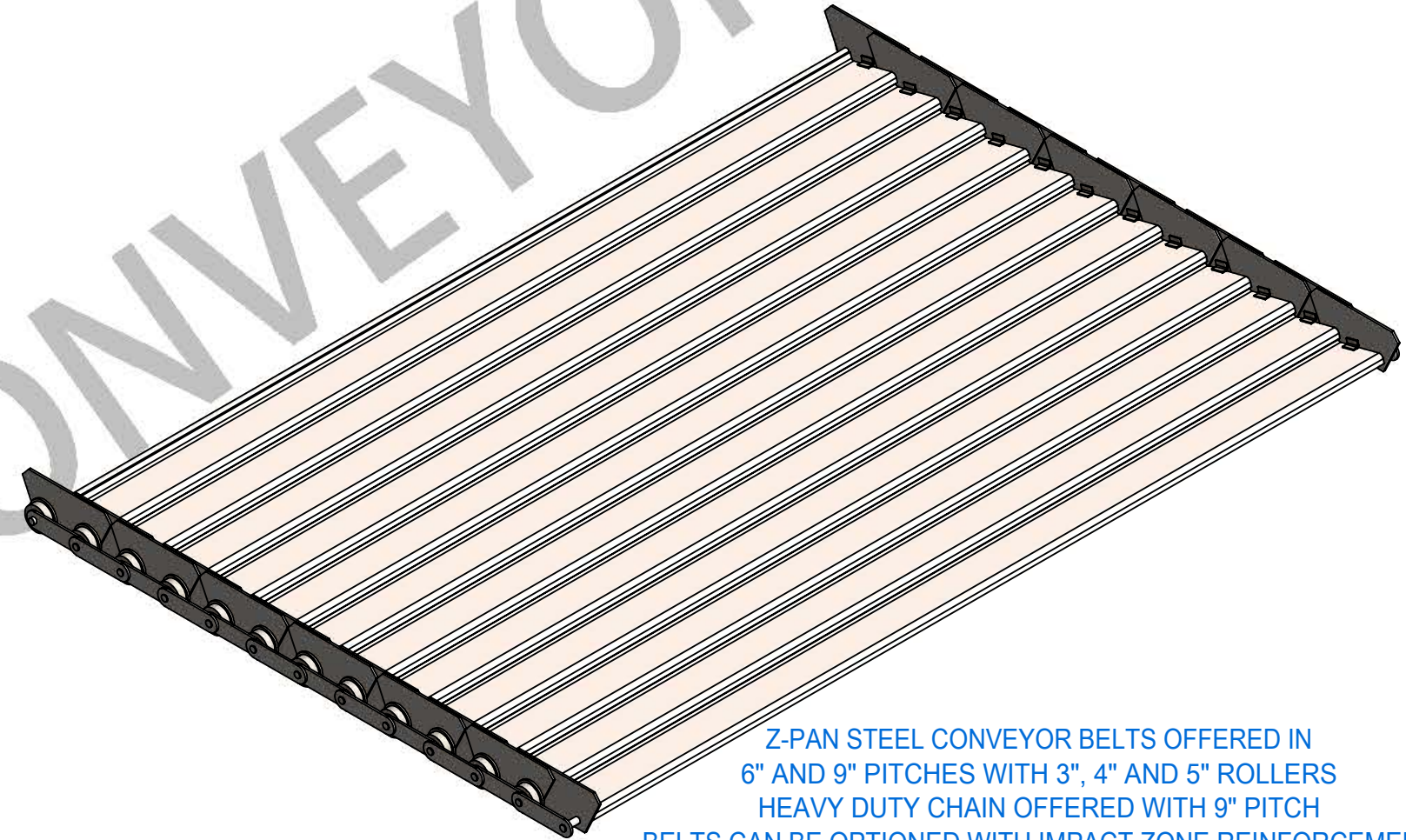
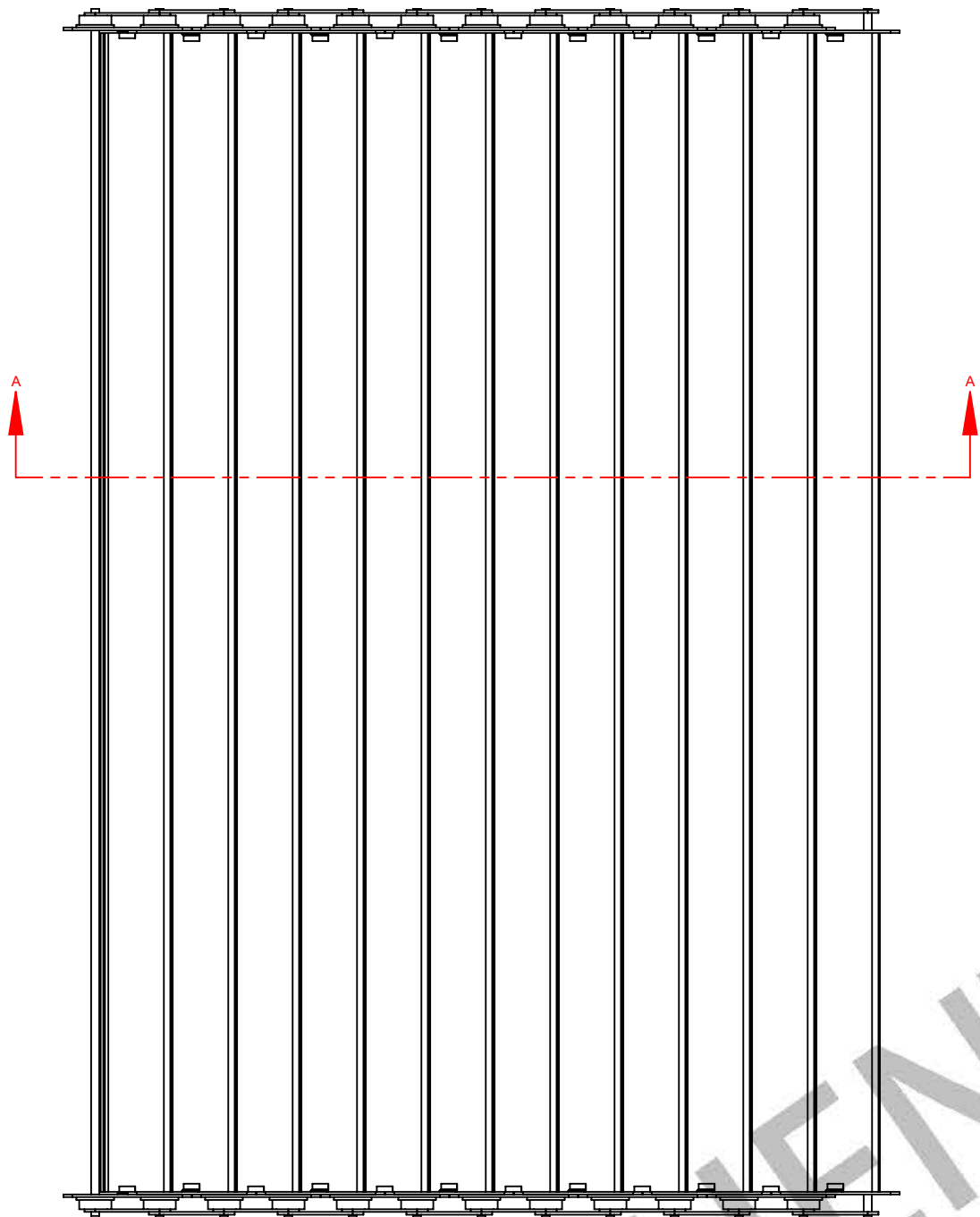


108" Z-Pan Steel Conveyor Belt

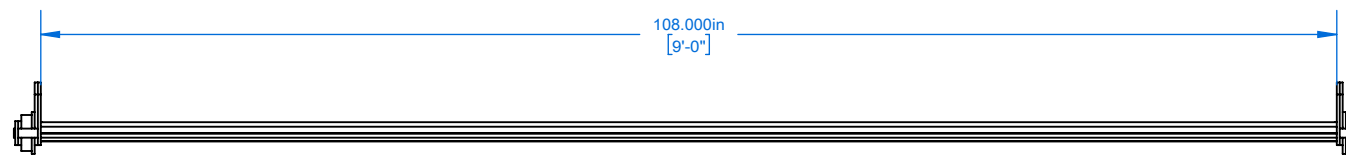
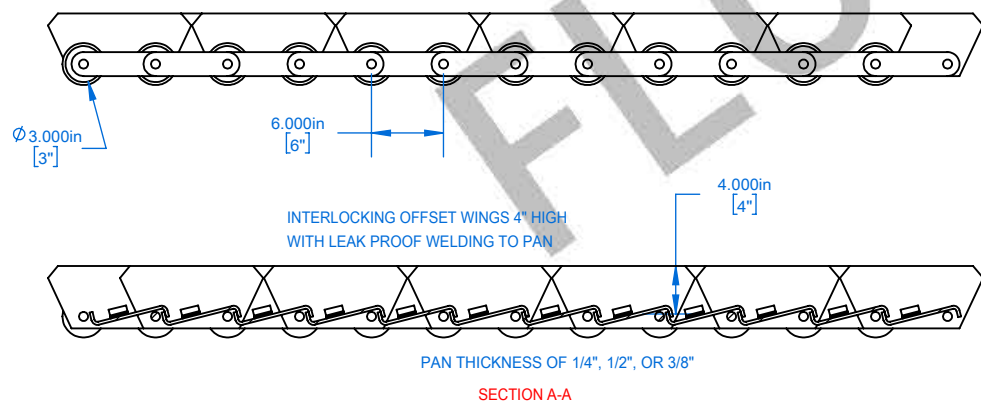
Fluent Z Apron Pan Conveyor Belts are most commonly used to convey large, heavy, abrupt objects in mass volume. Materials such as scrap metal (ferrous/non-ferrous), automotive, C&D, MSW, bio-fuel, e-waste, slag, and more. These belts have a much longer life cycle versus rubber or PVC combo conveyor belts. These belts can be used in both wet, dry and high-temp environments on horizontal and/or incline conveyors. The load area for this belt is engineered and manufactured to withstand heavy repetitive impacts. These conveyor belts can be made to order for customer widths not to exceed 108". The z pan conveyor belt does not need cleats for an incline conveyor.

Common Application Usages

- Scrap Metal
- Automotive
- Agricultural
- Bio-Fuel
- MSW
- Single Stream
- Construction & Demolition
- Hot & Abrasive Materials



Z-PAN STEEL CONVEYOR BELTS OFFERED IN 6" AND 9" PITCHES WITH 3", 4" AND 5" ROLLERS
HEAVY DUTY CHAIN OFFERED WITH 9" PITCH
BELTS CAN BE OPTIONED WITH IMPACT ZONE REINFORCEMENT



PROPRIETARY AND CONFIDENTIAL

THE INFORMATION CONTAINED IN THIS DRAWING IS THE SOLE PROPERTY OF FLUENT CONVEYORS. ANY REPRODUCTION IN PART OR AS A WHOLE WITHOUT THE WRITTEN PERMISSION OF FLUENT CONVEYORS IS PROHIBITED.

UNLESS OTHERWISE SPECIFIED:		NAME	DATE
DIMENSIONS ARE IN INCHES		BHS	
TOLERANCES:			
FRACTIONAL $\pm 1/16"$	DRAWN		
ANGULAR: MACH $\pm .5$ BEND $\pm .5$	CHECKED		
TWO PLACE DECIMAL $\pm .06$	ENG APPR.		
THREE PLACE DECIMAL $\pm .062$	MFG APPR.		
INTERPRET GEOMETRIC TOLERANCING PER:	Q.A.		
MATERIAL	COMMENTS:		
Plain Carbon Steel			
FINISH			
DO NOT SCALE DRAWING			

Fluent Conveyors		
TITLE:		
108-Z-Pan Steel Conveyor Belt		
SIZE	PART #	REV
B	FCRCZP-63-108-4-0-00	0
SCALE: 1:16	WEIGHT:	SHEET 1 OF 1

Fluent Conveyors can provide replacement belts for conveyors manufactured by but not limited to the following manufactures: Hustler Conveyors, Krause, CP Manufacturing, Green Machine, Bulk Handling Systems (BHS), Summit, Titan, Mayfran, Machinex and more.