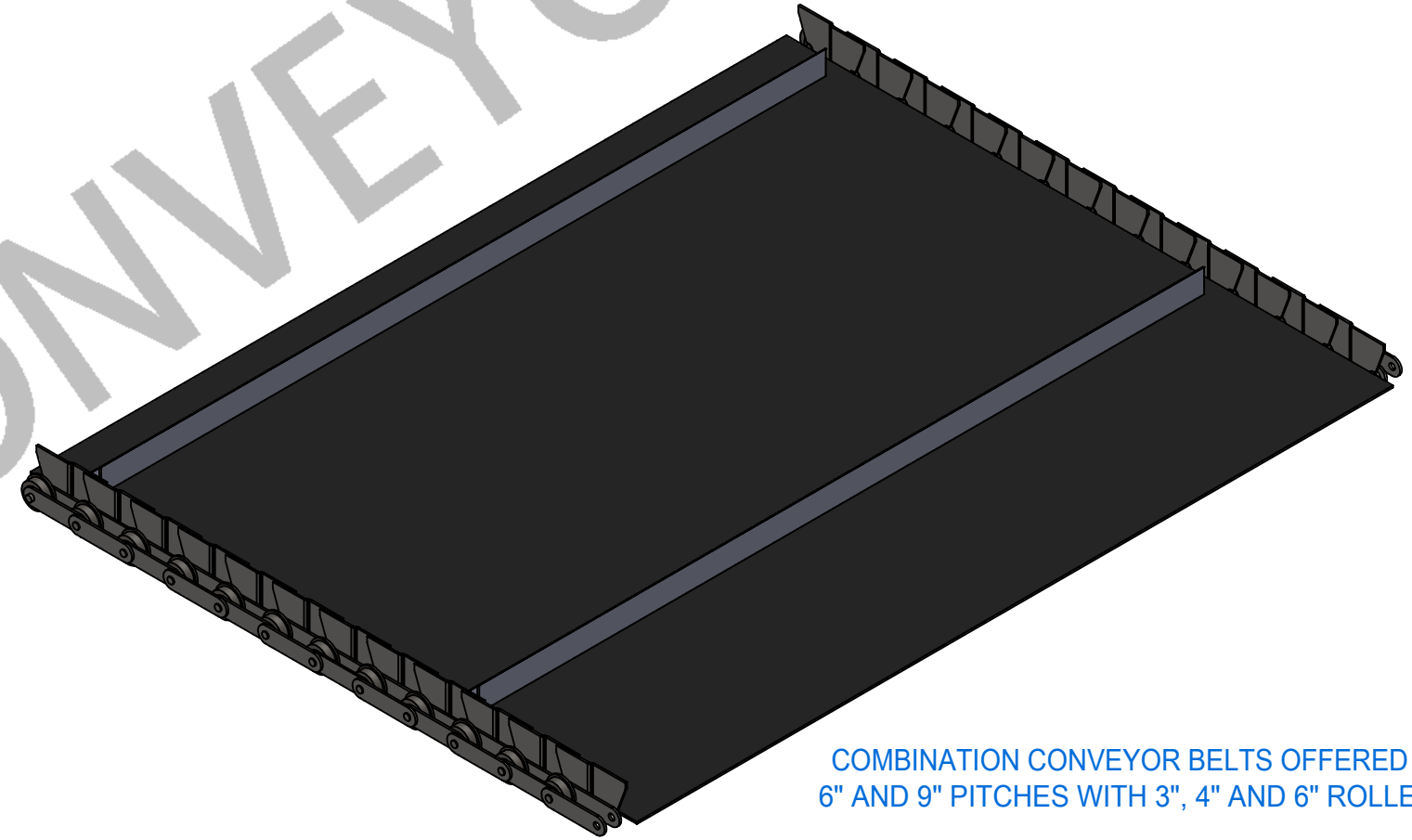
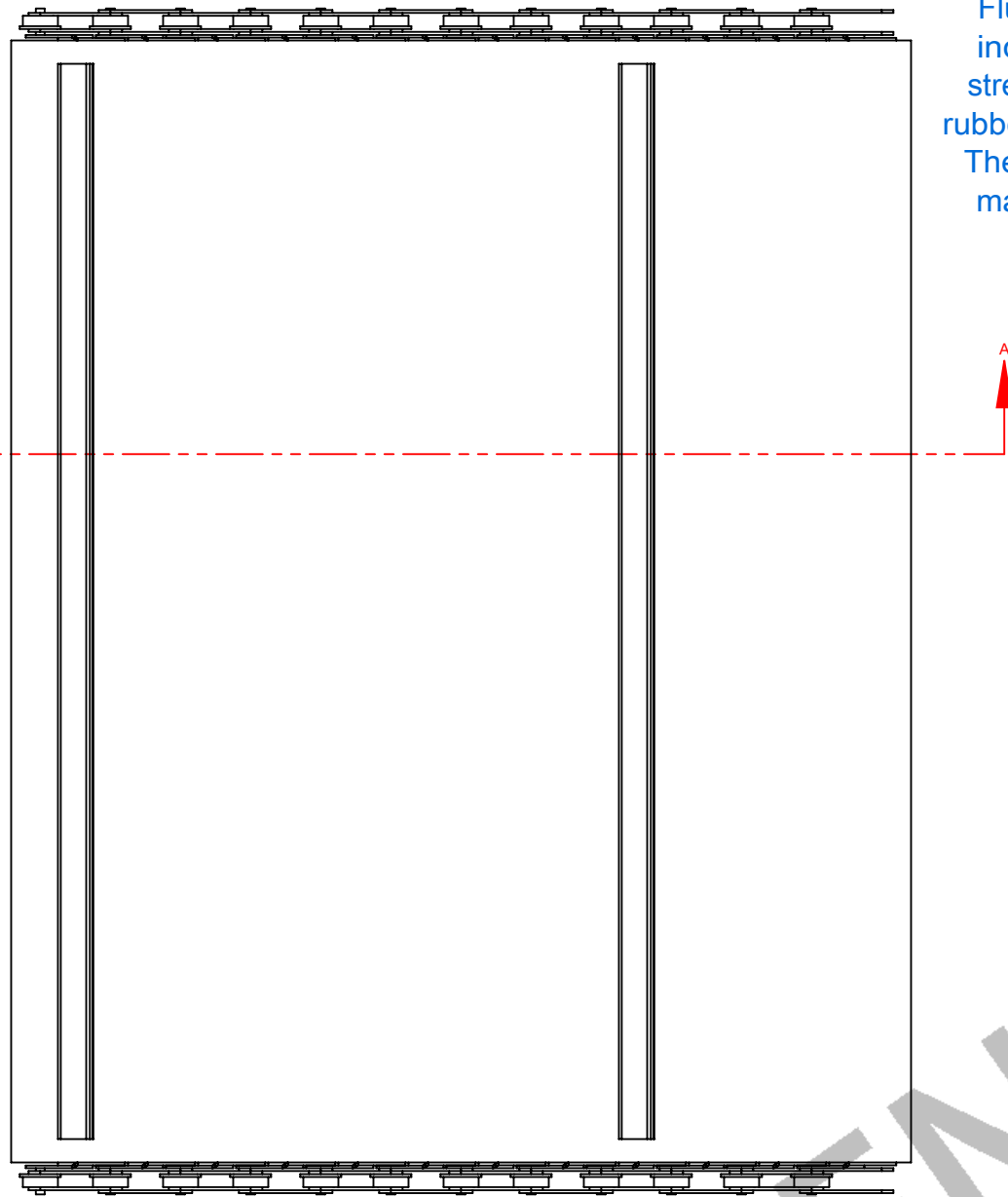


96" Rubber & PVC Combination Conveyor Belts

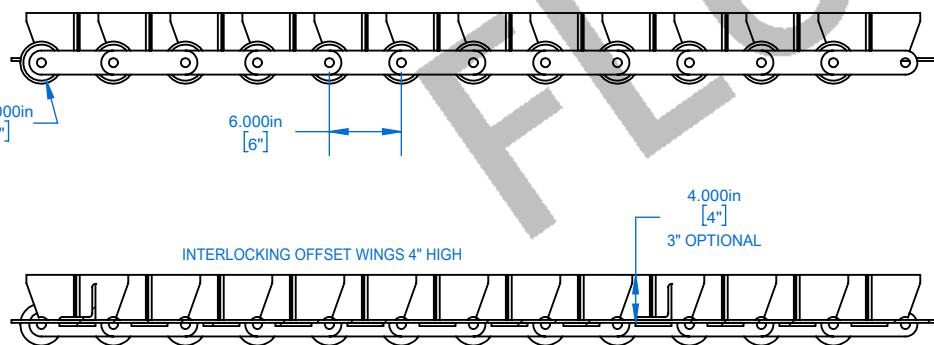
Fluent Rubber & PVC Combination Conveyor Belts are the most commonly used conveyor belts in the recycling industry. They typically have 3" or 4" cleats spaced anywhere between 24" - 72" depending on the material stream. They can be used in single stream, MSW, bio-fuel, e-waste, OCC, paper, tissue paper, ONP, mixed plastics, rubber and more. These belts can be used in both wet and dry environments on horizontal and/or incline conveyors. The loading of this belt is not as strong as a steel belt but can withstand large loading amounts depending on the material type and drop distance. These conveyor belts can be made to order for customer widths not to exceed 108" for both rubber (1 ply, 2 ply, 3 ply, 4 ply) and PVC (PVC 100,200,300,400)

Common Application Usages

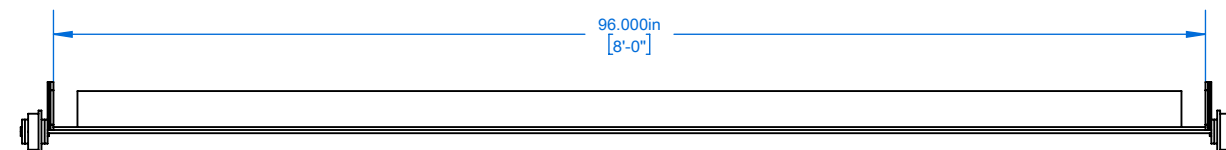
- Scrap Metal
- Automotive
- Agricultural
- Bio-Fuel
- MSW
- Single Stream
- Construction & Demolition
- Hot & Abrasive Materials



COMBINATION CONVEYOR BELTS OFFERED IN 6" AND 9" PITCHES WITH 3", 4" AND 6" ROLLERS



SECTION A-A



Fluent Conveyors can provide replacement belts for conveyors manufactured by but not limited to the following manufactures: Hustler Conveyors, Krause, CP Manufacturing, Green Machine, Bulk Handling Systems (BHS), Summit, Titan, Mayfran, Machinex and more.

PROPRIETARY AND CONFIDENTIAL
THE INFORMATION CONTAINED IN THIS DRAWING IS THE SOLE PROPERTY OF FLUENT CONVEYORS. ANY REPRODUCTION IN PART OR AS A WHOLE WITHOUT THE WRITTEN PERMISSION OF FLUENT CONVEYORS IS PROHIBITED.

UNLESS OTHERWISE SPECIFIED:		NAME	DATE
DIMENSIONS ARE IN INCHES		DRAWN	BHS
TOLERANCES:		CHECKED	
FRACTIONAL ± 1/16"		ENG APPR.	
ANGULAR: MACH ± .5 BEND ± .5		MFG APPR.	
TWO PLACE DECIMAL ± .06		Q.A.	
THREE PLACE DECIMAL ± .062		COMMENTS:	
INTERPRET GEOMETRIC TOLERANCING PER:			
MATERIAL			
FINISH			
DO NOT SCALE DRAWING			

Fluent Conveyors		
TITLE: 96-Combination Belt		
SIZE B	PART # FCRCCB-63-96-4-3-48	REV 0
SCALE: 1:16	WEIGHT:	SHEET 1 OF 1