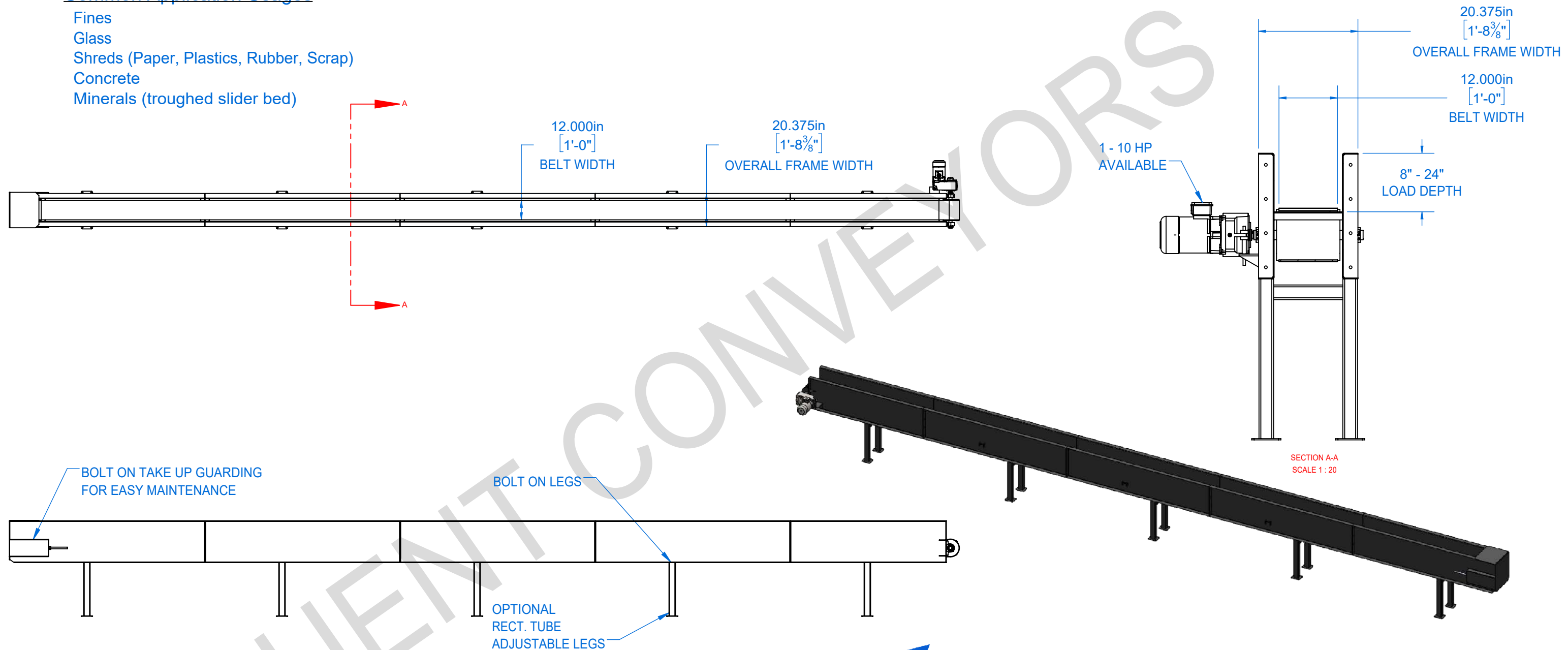


FLUENT 12 INCH SLIDER BED CONVEYOR

Fluent 12 Inch SB Series of conveyors are most commonly used for conveying fines, glass and lightweight particles of metal, plastics, wood, paper, concrete and more. This size of slider bed conveyor can be engineered and manufactured to lengths of up to 200 feet and be fitted for belt types such as: PVC, rough top, rubber, cleated, chevron, MOR, high temp and more.

Common Application Usages

- Fines
- Glass
- Shreds (Paper, Plastics, Rubber, Scrap)
- Concrete
- Minerals (troughed slider bed)



Fluent Conveyors is a premier engineering and manufacturing company headquartered in the Rocky Mountain Region with over 50+ years of combined conveyor engineering and manufacturing experience. Since Fluent's inception, dealers have integrated Fluent Conveyors and replaced conveyors from manufacturers like: Hustler Conveyors, Krause, CP Manufacturing, Green Machine, Bulk Handling Systems (BHS), Summit, Tuffman, Mayfran, Machinex and more.



PROPRIETARY AND CONFIDENTIAL
THE INFORMATION CONTAINED IN THIS DRAWING IS THE SOLE PROPERTY OF FLUENT CONVEYORS. ANY REPRODUCTION IN PART OR AS A WHOLE WITHOUT THE WRITTEN PERMISSION OF FLUENT CONVEYORS IS PROHIBITED.

UNLESS OTHERWISE SPECIFIED:		NAME	DATE
DIMENSIONS ARE IN INCHES	DRAWN		
TOLERANCES:	CHECKED		
FRACTIONAL ± 1/16"	ENG APPR.		
ANGULAR: MACH ± .5 BEND ± .5	MFG APPR.		
TWO PLACE DECIMAL ± .06	Q.A.		
THREE PLACE DECIMAL ± .062	COMMENTS:		
MATERIAL			
FINISH			
DO NOT SCALE DRAWING			

TITLE: FLUENT 12 INCH SLIDER BED CONVEYOR		
SIZE B	PART #	REV
SCALE: 1:60	WEIGHT: 3353	SHEET 1 OF 1