

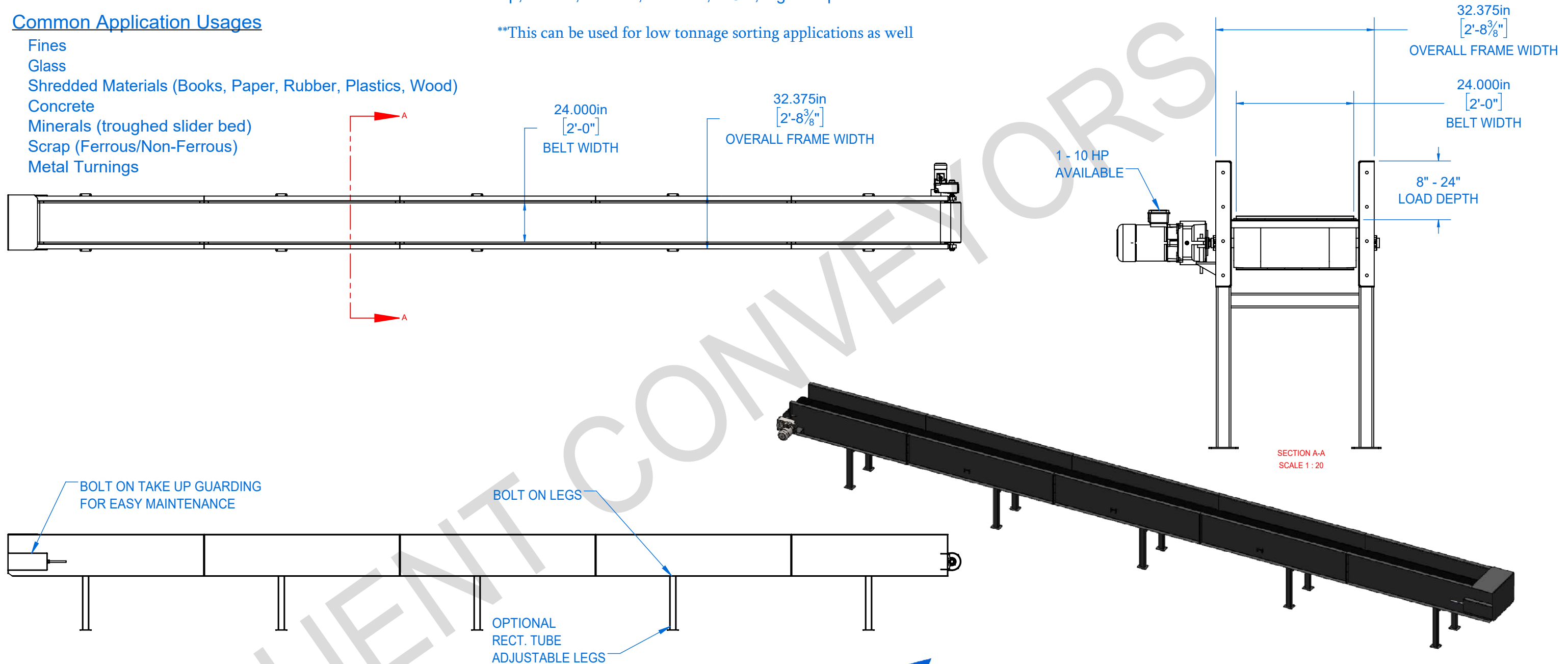
FLUENT 24 INCH SLIDER BED CONVEYOR

Fluent 24 Inch SB Series of conveyors are most commonly used as transfer conveyors in MRFs, manufacturing facilities and processing applications. The 24" slider bed is optimally used to convey material small in size such as: fines, glass, agricultural products and shredded materials. This size of slider bed can also be found feeding a variety of materials to shredders, balers and granulators as well as transferring the output materials (shredded books, paper, rubber, plastics, wood, paper etc.) to other parts of the processing system. These conveyors can reach speeds up to 200 feet per minute, be fully enclosed and fitted for belt types such as: PVC, rough top, rubber, cleated, chevron, MOR, high temp and more.

Common Application Usages

- Fines
- Glass
- Shredded Materials (Books, Paper, Rubber, Plastics, Wood)
- Concrete
- Minerals (troughed slider bed)
- Scrap (Ferrous/Non-Ferrous)
- Metal Turnings

**This can be used for low tonnage sorting applications as well



Fluent Conveyors is a premier engineering and manufacturing company headquartered in the Rocky Mountain Region with over 50+ years of combined conveyor engineering and manufacturing experience. Since Fluent's inception, dealers have integrated Fluent Conveyors and replaced conveyors from manufacturers like: Hustler Conveyors, Krause, CP Manufacturing, Green Machine, Bulk Handling Systems (BHS), Summit, Tuffman, Mayfran, Machinex and more.



PROPRIETARY AND CONFIDENTIAL
 THE INFORMATION CONTAINED IN THIS DRAWING IS THE SOLE PROPERTY OF FLUENT CONVEYORS. ANY REPRODUCTION IN PART OR AS A WHOLE WITHOUT THE WRITTEN PERMISSION OF FLUENT CONVEYORS IS PROHIBITED.

UNLESS OTHERWISE SPECIFIED:		NAME	DATE
DIMENSIONS ARE IN INCHES	DRAWN		
TOLERANCES:	CHECKED		
FRACTIONAL: ± 1/16"	ENG APPR.		
ANGULAR: MACH ± .5 BEND ± .5	MFG APPR.		
TWO PLACE DECIMAL ± .06	Q.A.		
THREE PLACE DECIMAL ± .062	COMMENTS:		
INTERPRET GEOMETRIC TOLERANCING PER:			
MATERIAL			
FINISH			
DO NOT SCALE DRAWING			

TITLE: FLUENT 24 INCH SLIDER BED CONVEYOR		
SIZE B	PART #	REV
SCALE: 1:60	WEIGHT: 3937	SHEET 1 OF 1