

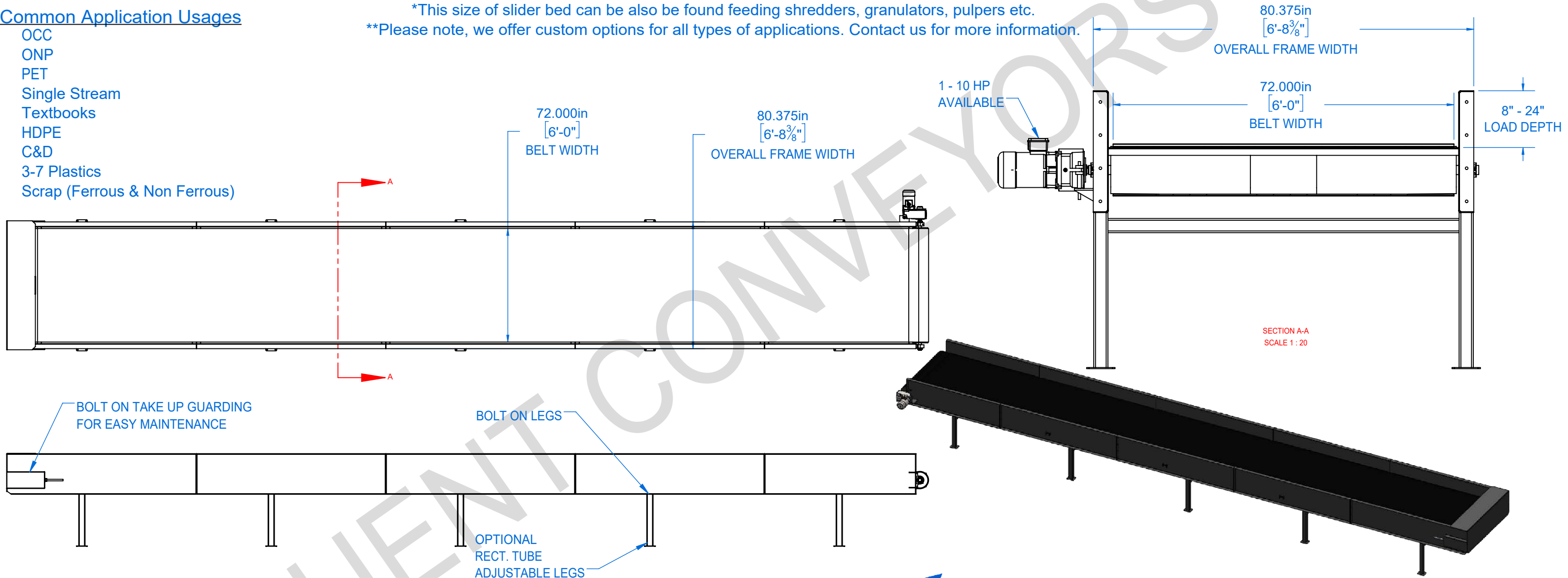
FLUENT 72 INCH SLIDER BED CONVEYOR

Fluent 72 Inch SB Series of conveyors are commonly used as infeed conveyors for single ram auto-tie balers & two ram balers from leading manufactures like: Harris, International Baler, American Baler, Balemaster, Marathon, IPS, G-Baler, Sierra, Maren and more. The 72" version of slider bed is best used when conveying higher volumes of larger materials such as plastics, paper, single stream, OCC, ONP and also works well when paired with optical sorters, paper screens, OCC screens, trommels and more. The 72" slider bed conveyor can extend up to lengths exceeding 100 feet and run at speeds at over 80 feet per minute. Depending on the materials being conveyed, the 72 inch slider bed conveyor can be combined a wide variety of belting options including: PVC, rough top, rubber, cleated, chevron, MOR, high temp as well as have optional return rollers and heavy duty frames. These conveyors come standard with all the proper safety equipment, pulleys, supports, installation manuals and can be combined with accessories: hoppers (loading and discharge), pull cords, pit plates, controls, full enclosures, bottom guarding etc.

Common Application Usages

- OCC
- ONP
- PET
- Single Stream
- Textbooks
- HDPE
- C&D
- 3-7 Plastics
- Scrap (Ferrous & Non Ferrous)

*This size of slider bed can be also be found feeding shredders, granulators, pulpers etc.
 **Please note, we offer custom options for all types of applications. Contact us for more information.



Fluent Conveyors is a premier engineering and manufacturing company headquartered in the Rocky Mountain Region with over 50+ years of combined conveyor engineering and manufacturing experience. Since Fluent's inception, dealers have integrated Fluent Conveyors and replaced conveyors from manufacturers like: Hustler Conveyors, Krause, CP Manufacturing, Green Machine, Bulk Handling Systems (BHS), Summit, Tuffman, Mayfran, Machinex and more.



PROPRIETARY AND CONFIDENTIAL
 THE INFORMATION CONTAINED IN THIS DRAWING IS THE SOLE PROPERTY OF FLUENT CONVEYORS. ANY REPRODUCTION IN PART OR AS A WHOLE WITHOUT THE WRITTEN PERMISSION OF FLUENT CONVEYORS IS PROHIBITED.

UNLESS OTHERWISE SPECIFIED:

DIMENSIONS ARE IN INCHES
 TOLERANCES:
 FRACTIONAL $\pm 1/16"$
 ANGULAR: MACH $\pm .5$ BEND $\pm .5$
 TWO PLACE DECIMAL $\pm .06$
 THREE PLACE DECIMAL $\pm .062$

INTERPRET GEOMETRIC TOLERANCING PER:
 MATERIAL
 FINISH

DO NOT SCALE DRAWING

NAME DATE

DRAWN
 CHECKED
 ENG APPR.
 MFG APPR.

Q.A.
 COMMENTS:

TITLE:
FLUENT 72 INCH SLIDER BED CONVEYOR

SIZE PART # REV

B

SCALE: 1:60 WEIGHT: 6279 SHEET 1 OF 1